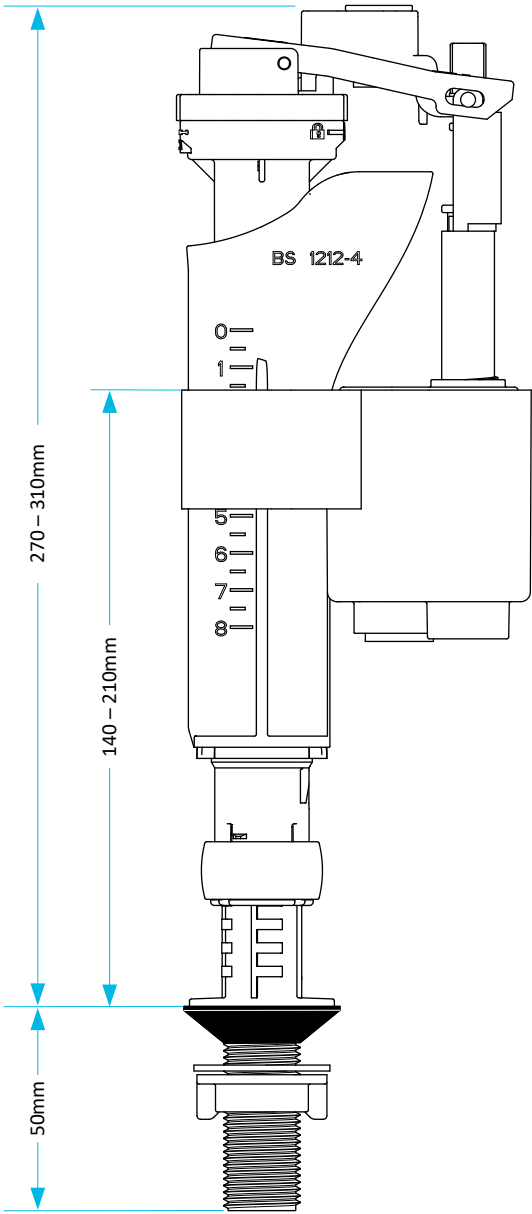
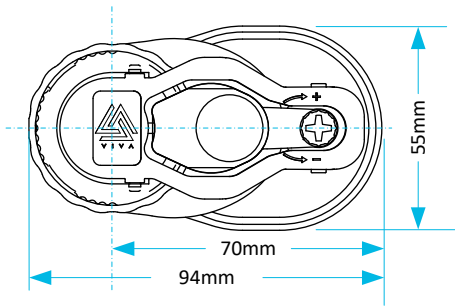


Technical Data Sheet



| | |
|--------------|-----------------------------------|
| CODE: | SKYAIR01 |
| DESCRIPTION: | Skylo AIR Bottom Entry Fill Valve |
| CATAGORY: | Toilet Fill Valves |

| | |
|-------------------------------|----|
| © Viva Sanitary 04/11/2022 | |
| DRAWN BY: | RH |
| VERIFIED BY: | AH |