



# Basin Fixing Kit Installation Instructions

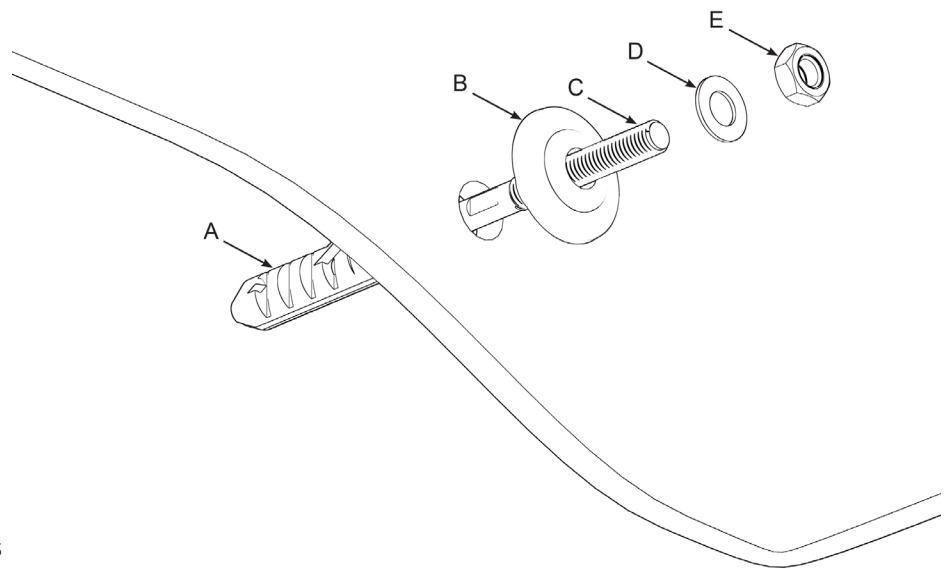
## Parts Supplied

(two of each of the following)

- A. Wall Plug
- B. Nylon Bush
- C. Screw Stud
- D. Metal Washer
- E. Metal Nut

## Tools Required (not supplied)

- 1 x drill
- 1 x drill bit (12mm - M8 / 14mm - M10)
- 1 x hammer
- 1 x adjustable spanner



## Assembly

1. Check and familiarise yourself with all the components.
2. Prior to carrying out the work, check the basin.
3. Once happy with the position, mark on the wall where holes are required.
4. Take basin away and place down carefully, now drill the holes in the wall where marks were made.
5. Insert wall plug (A) into holes.
6. Take screw stud (C) and tighten it into wall plug (A), using an adjustable spanner on the flat middle section of screw stud (C). Only tighten up to the flat section. The threaded section should protrude from the wall.
7. Now carefully take the basin and hang in position, ensuring screw stud (C) goes through correct support holes.
8. Ensure the basin is fully supported at this stage, take nylon bush (B) and place it over the screw stud, so it is flush with the hole at the back of the basin.
9. Now take metal washer (D) and Metal nut (E) and tighten onto screw stud (C).
10. Once both sides have been fully tightened, check installation and ensure basin is securely hung, and there is no movement.

### IMPORTANT INFORMATION



We accept no liability for products fitted incorrectly, and where the correct testing procedures have not been used, resulting in the escape of water. The finished surfaces on the product are hard and durable and we recommend regular cleaning to maintain their appearance. They should only be cleaned with warm soapy water, under no circumstances should any aggressive or abrasive cleaning agent be used as it can lead to deterioration of the high quality finish.

FOR MORE INFORMATION ABOUT ANY OF OUR PRODUCTS VISIT

[www.vivasanitary.co.uk](http://www.vivasanitary.co.uk)

Units 1-2, Capitol Trading Park  
Kirkby Bank Road, Knowsley Industrial Park  
Liverpool, Merseyside, L33 7SY

Tel: +44 (0)151 546 0531 Fax: +44 (0)151 549 4187