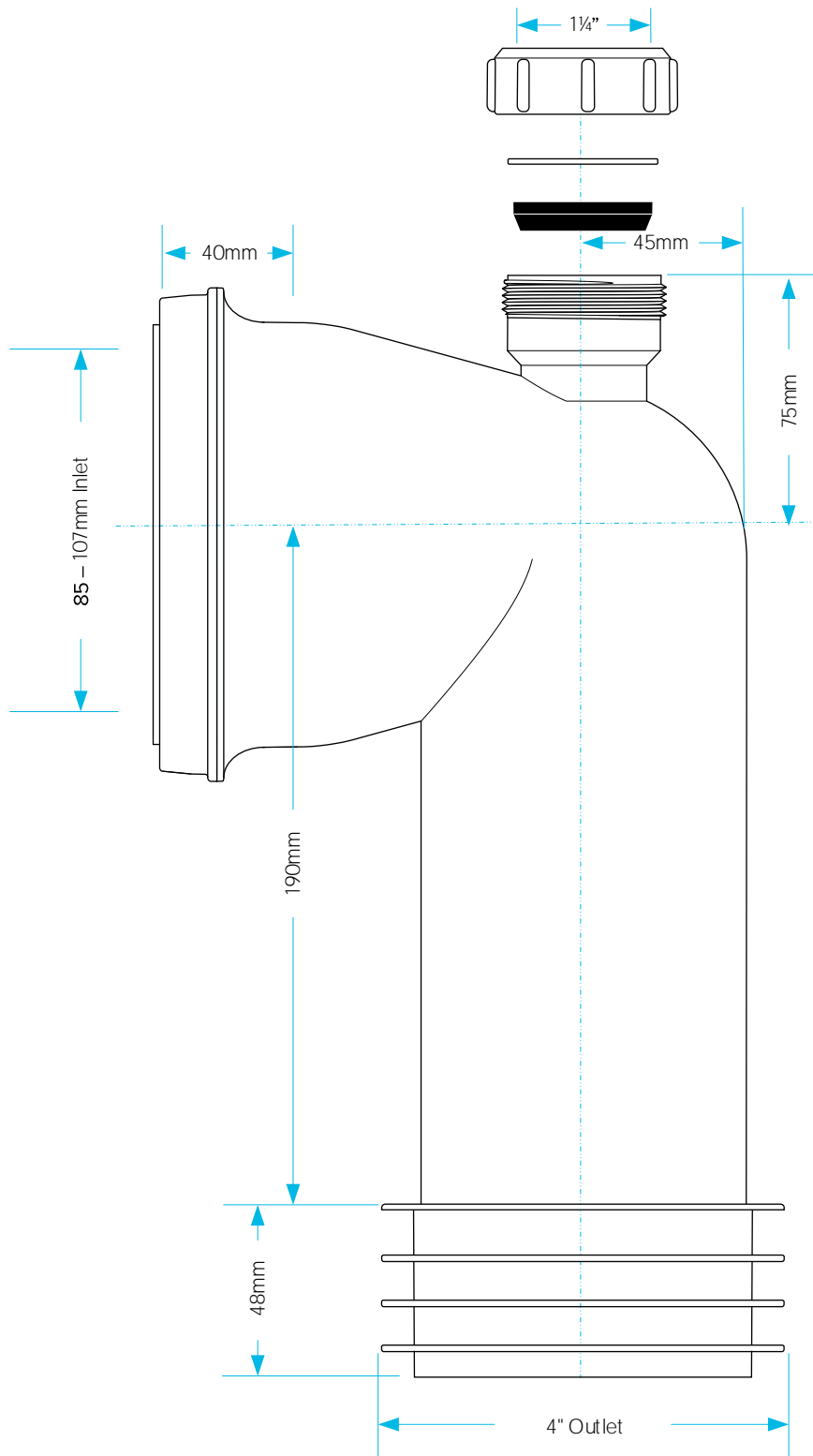


Technical Data Sheet



CODE:

PP0005/A

DESCRIPTION:

90° WC Pan Connector (with 1/4" Adapter)

CATAGORY:

WC Pan Connectors

© Viva Sanitary
12/08/2013

DRAWN BY:

RH

VERIFIED BY:

AH