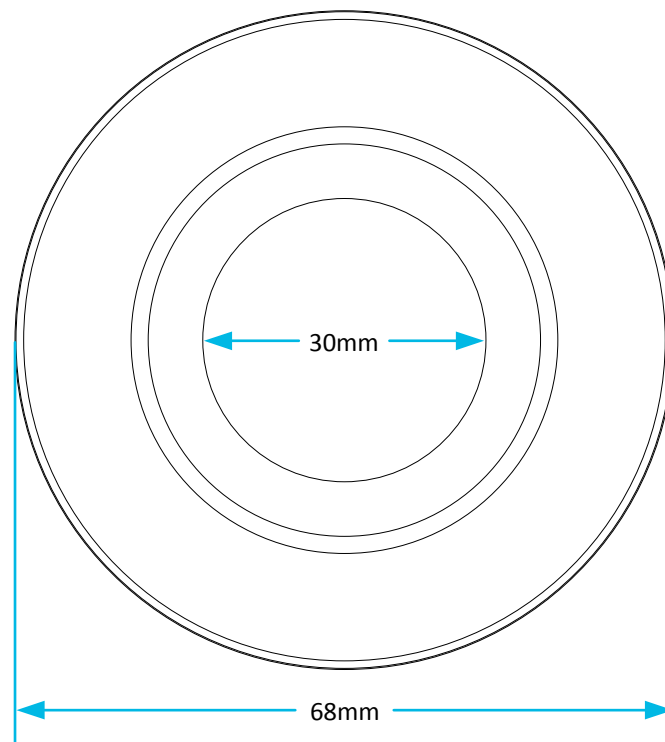
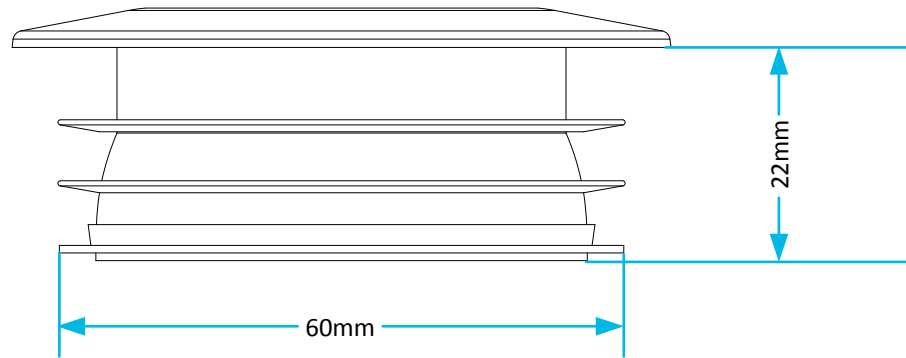


Technical Data Sheet



© Viva Sanitary
18/08/2015

Code:	PP0004/A	Description:	Internal Flush Cone (Clear Plastic)
-------	-----------------	--------------	--