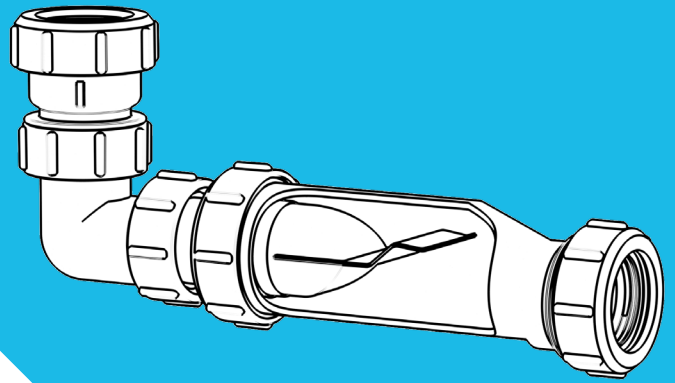


Fixing

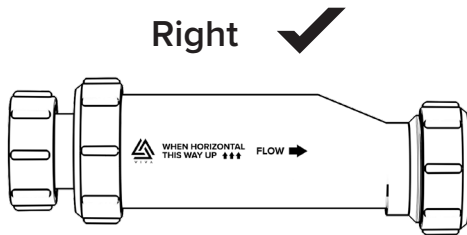
The Magna Valve is a non-return valve with an internal membrane. The valve opens to allow water to be discharged, then automatically closes to prevent foul smells and sewer gases from entering the building. This product is very adaptable, and is suitable for installation under sinks, basins, bidets, baths and urinals.

- Can be installed in a horizontal or vertical position.
- Complete with 90° Inlet and Straight Compression Adapters.
- Drain cleaning products should not be poured down the Magna Valve.

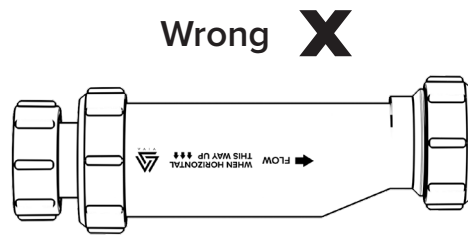


For horizontal installation

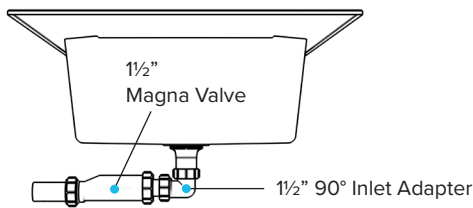
Right ✓



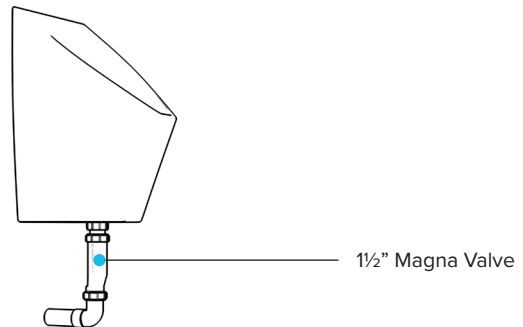
Wrong ✗



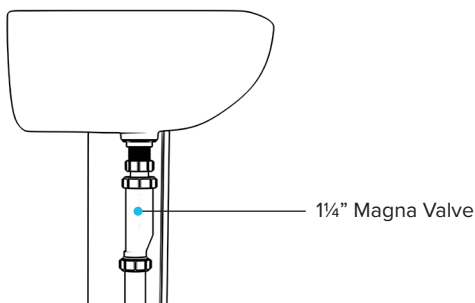
Sink



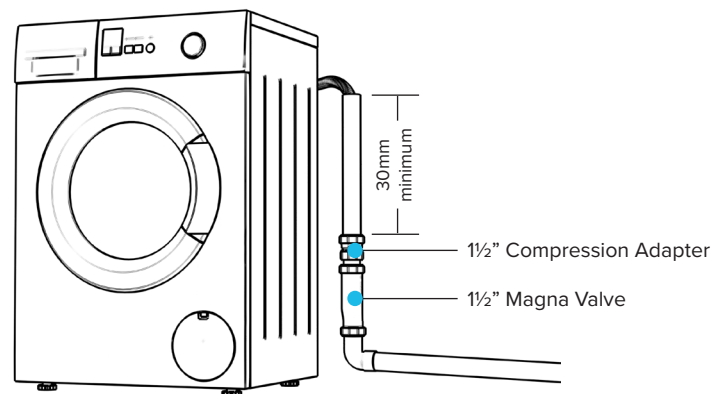
Urinal



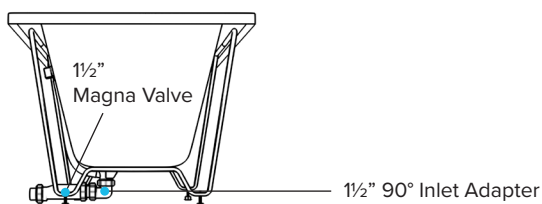
Basin



Washing Machine/Dishwasher



Bath



WARNING

We accept no liability for products installed incorrectly, and where the correct testing procedures have not been used, resulting in the escape of water.

UK - Units 1-3 Capitol Trading Park, Kirkby Bank Road, Knowsley Industrial Estate, Liverpool, L33 7SY
EU - Authorised Rep Compliance Ltd., GroundFloor, 71 Lower Baggot Street, Dublin, D02 P593, Ireland.

For more information please contact us: Tel: 0151 546 0531 E-mail: sales@vivasanitary.co.uk