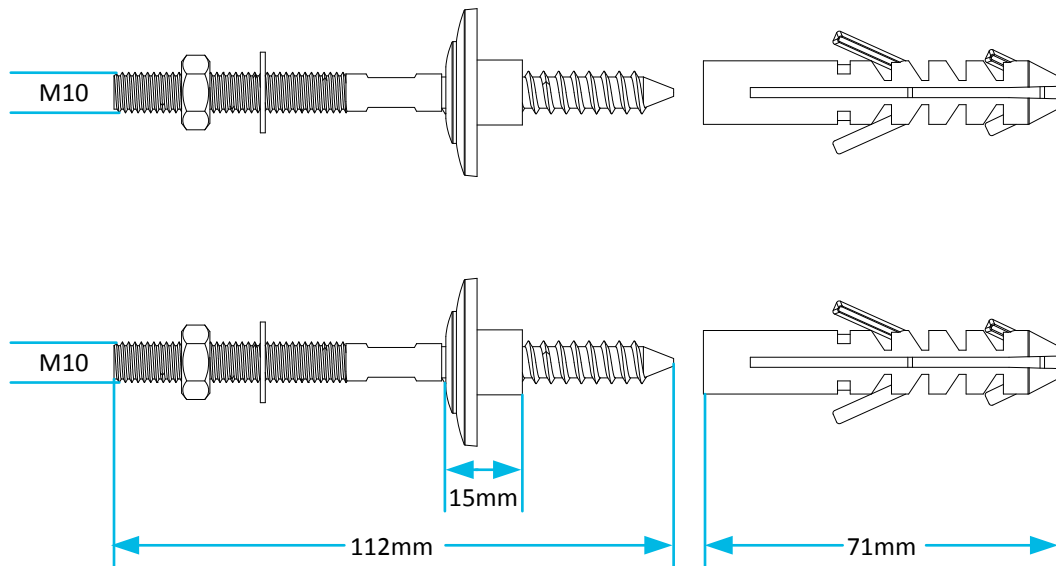


Technical Data Sheet



© Viva Sanitary
18/08/2015

Code:

PP0025/A

Description:

Basin Fixing Kit