

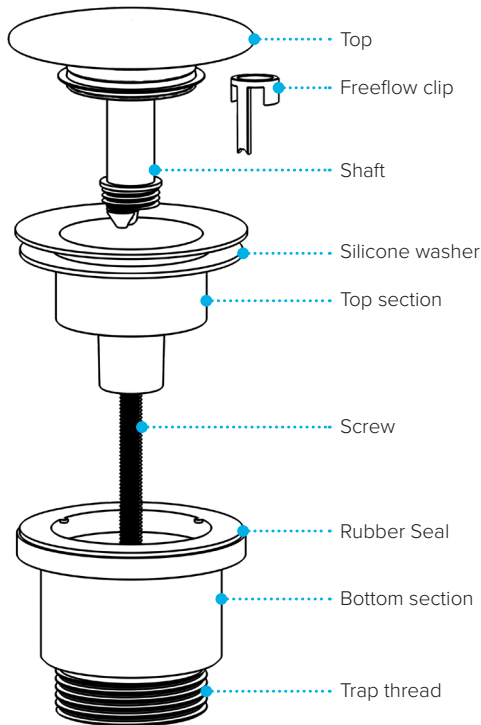


# Universal 'Clic-Clac' Basin Waste

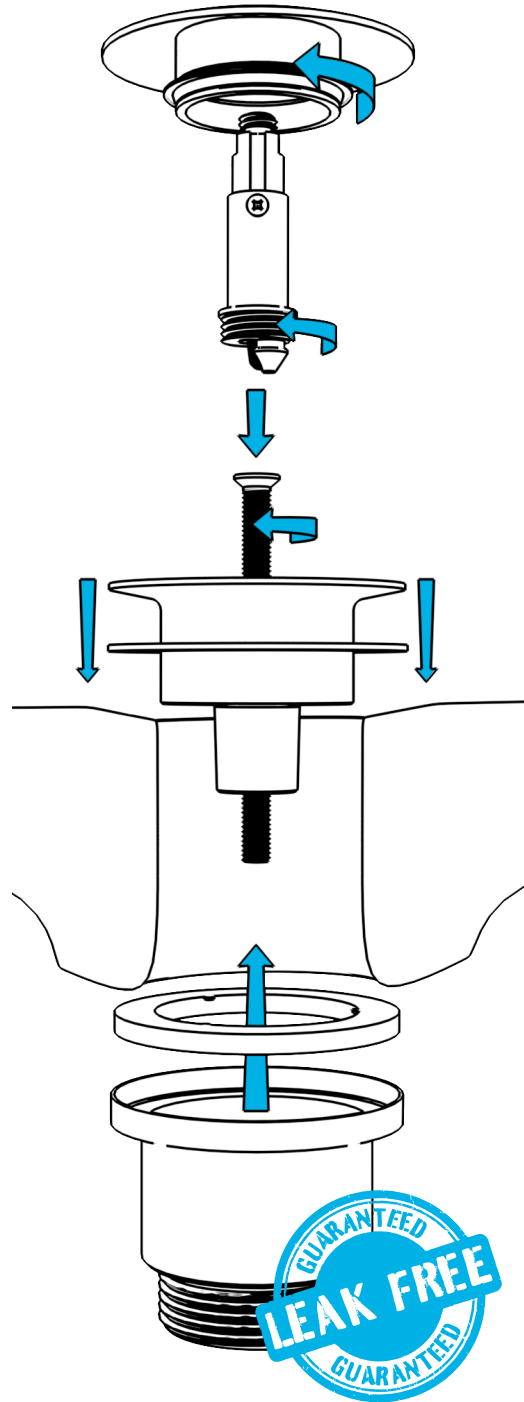


### WARNING

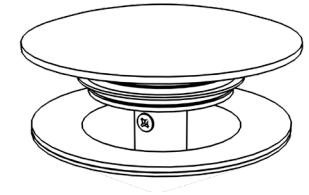
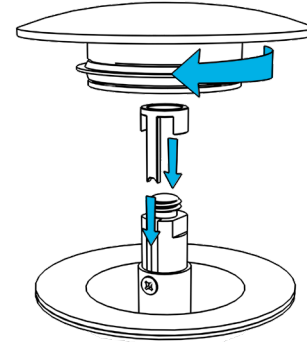
We accept no liability for products fitted incorrectly, and where the correct testing procedures have not been used, resulting in the escape of water.



## INSTALLATION



## Freeflow Setup

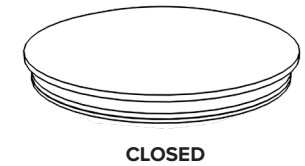
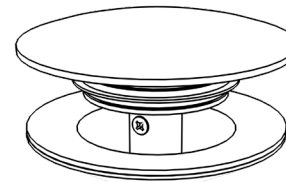


To set up the Universal Basin Waste as a Freeflow waste, follow these steps:

1. Remove the top by rotating it counter clockwise.
2. Intert the freeflow clip onto the top of the shaft, ensuring the long part enters the groove above the screw.
3. Screw the top back on by rotating it clockwise.

The result will be a permanently open and freeflowing waste which can be easily converted back into clic-clac whenever required.

## 'Clic-Clac' Setup



For a standard clic-clac setup, assemble without the freeflow clip, as per the main illustration.

We recommend cleaning all products with a soft damp cloth ONLY and advise strongly against the use of ALL cleaning products i.e. powders and liquids.



Installation videos and further information available now.



Join Pro+ Installers club for exclusive benefits.  
[vivasanitary.co.uk/pro](http://vivasanitary.co.uk/pro)

UK - Units 1-3 Capitol Trading Park, Kirkby Bank Road, Knowsley Industrial Estate, Liverpool, L33 7SY  
EU - Authorised Rep Compliance Ltd., GroundFloor, 71 Lower Baggot Street, Dublin, D02 P593, Ireland.

For more information please contact us:  
Tel: 0151 546 0531 E-mail: [sales@vivasanitary.co.uk](mailto:sales@vivasanitary.co.uk)

Please note: Save this instruction sheet for future reference  
**IMPORTANT: DO NOT use plumber's putty to seal this fitting**