



SKYLO

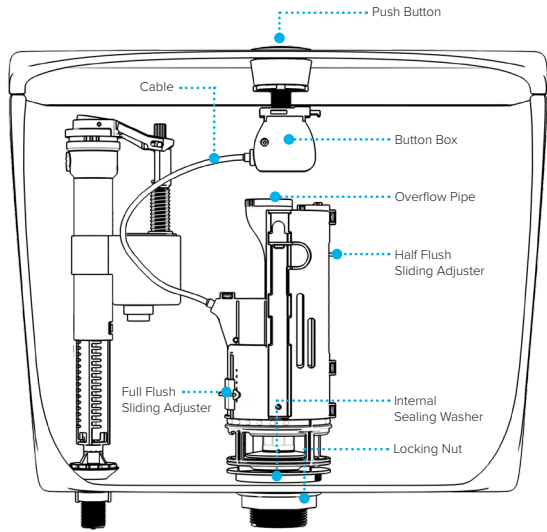
DUAL FLUSH VALVE

CABLE



WARNING

We shall not be responsible or liable for any failure of, or damage to, this plumbing product caused by the use of chlorine/bleach cleaners or related products added to the tank water. Use of such products will void the warranty and may result in product failure, possibly causing property damage. Do not over tighten plastic nuts and always turn off water supply when installing / removing toilet cistern parts.

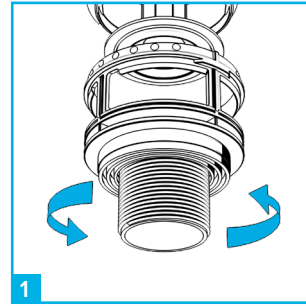


Please note: Save this instruction sheet for future reference
IMPORTANT: DO NOT use plumber's putty to seal this fitting

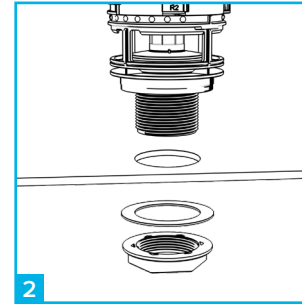
UK - Units 1-3 Capitol Trading Park, Kirkby Bank Road, Knowsley Industrial Estate, Liverpool, L33 7SY
EU - Authorised Rep Compliance Ltd., GroundFloor, 71 Lower Baggot Street, Dublin, D02 P593, Ireland.

For more information please contact us:
Tel: 0151 546 0531 E-mail: sales@vivasanitary.co.uk

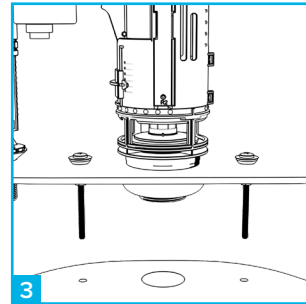
INSTALLATION INSTRUCTIONS



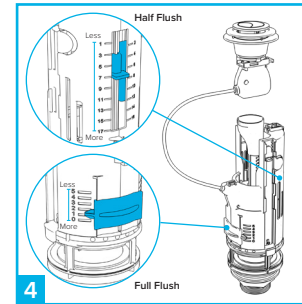
1 Choose the correct cradle size for the installation, 1 1/2" (factory fitted) or 2". To remove cradle twist and pull from flush valve, to connect reverse procedure.



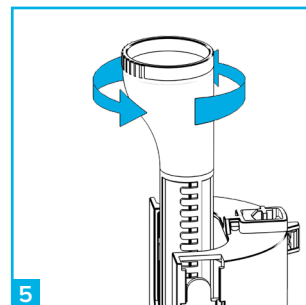
2 Insert the flush valve into the water tank and tighten to the tank using the washer and nut.



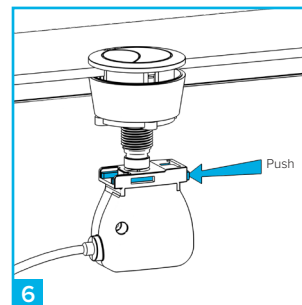
3 Replace or refit the doughnut washer and fasten the tank to the toilet with the bolt through kit.



4 The flush volumes of both the full and half flush can be adjusted to suit your requirements. This is achieved by sliding the adjustment clips. The half flush can be increased by moving the slider down and decreased by moving it up.



5 To adjust the overflow tube height, turn tube anticlockwise and adjust up and down to the correct position. Turn clockwise to lock into place.



6 To install the button, insert button into the valves control box while pressing the blue button (see button guide for more information on hole sizes)

UNIBUTTON ASSEMBLY INSTRUCTIONS

