



# Bath Combination waste Installation Instructions

## Parts Supplied

(one of each of the following)

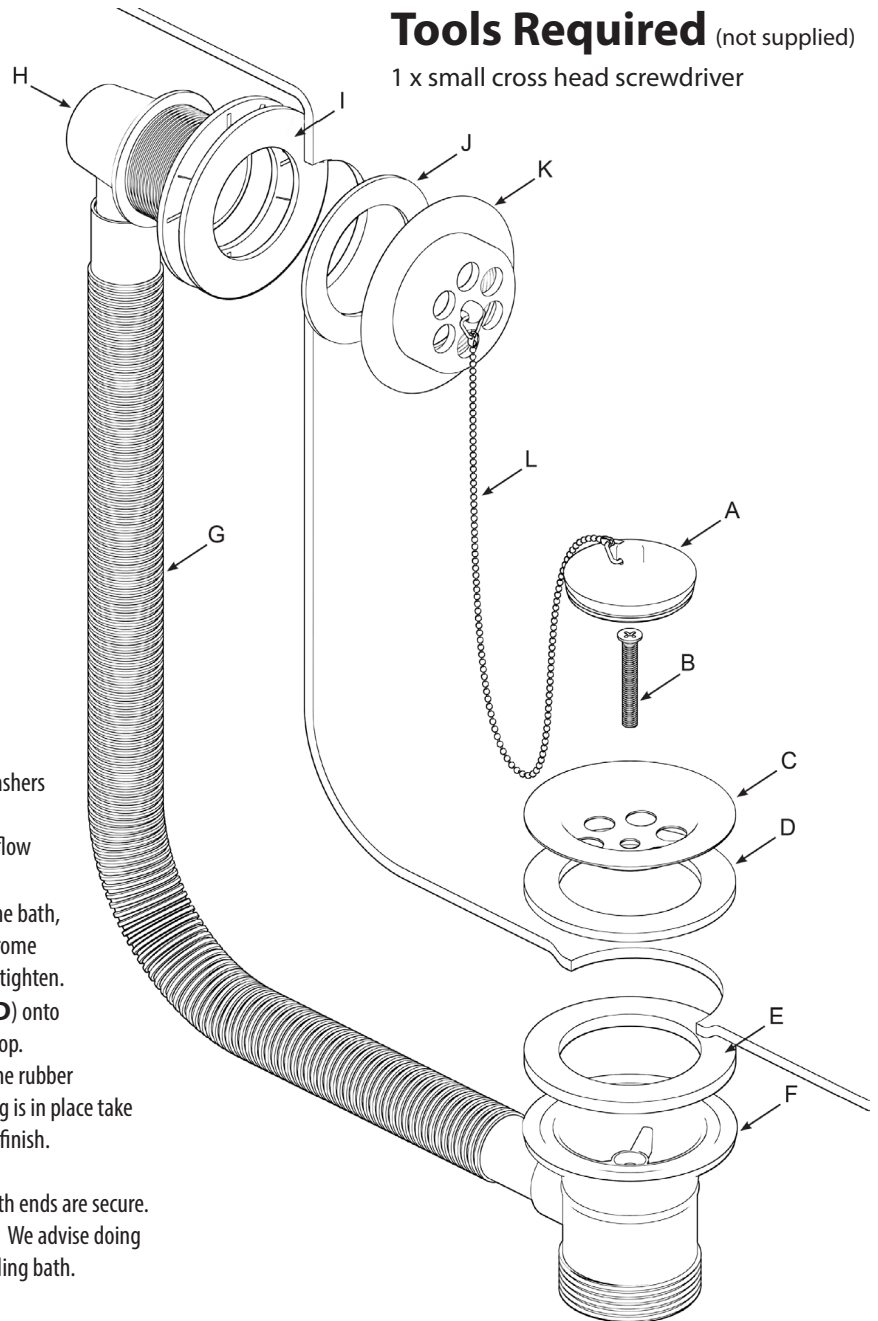
- A. Plug
- B. Screw
- C. Waste grating
- D. Grating washer
- E. Ribbed washer
- F. Waste body
- G. Overflow
- H. Overflow body
- I. Flat washer
- J. Overflow washer
- K. Chrome overflow cover
- L. Chain

## Assembly

1. Check and familiarise yourself with all the components.
2. Take the main body of the waste (**F,G,H**) to the bath, ensuring washers (**E**) and (**I**) are in place ready for installation.
3. Locate the overflow body (**H**) centrally at the rear of the bath overflow hole, ensuring flat washer (**I**) is flush with the wall of the bath.
4. The plastic thread will protrude through the overflow hole inside the bath, place washer (**J**) over the thread. Keeping this central, take the chrome overflow cover (**K**) and tighten onto the thread, please do not overtighten.
5. To secure to the waste outlet on the bath, place the foam washer (**D**) onto the bath outlet hole, and place the chrome waste grating (**C**) on top. Locate the waste body (**F**) on the underside of this hole ensuring the rubber washer (**E**) is flush with the underside of the bath. Now everything is in place take the screw (**B**) and tighten, being careful not to damage the plated finish. Please do not over tighten.
6. Please check the overflow pipe (**G**) is not twisted or kinked and both ends are secure.
7. To check all joints fill the bath with water and inspect for any leaks. We advise doing this in stages starting with a small amount of water, before fully filling bath.

## Tools Required (not supplied)

1 x small cross head screwdriver



### IMPORTANT INFORMATION



We accept no liability for products fitted incorrectly, and where the correct testing procedures have not been used, resulting in the escape of water. The finished surfaces on the product are hard and durable and we recommend regular cleaning to maintain their appearance. They should only be cleaned with warm soapy water, under no circumstances should any aggressive or abrasive cleaning agent be used as it can lead to deterioration of the high quality finish.

FOR MORE INFORMATION ABOUT ANY OF OUR PRODUCTS VISIT

[www.vivasanitary.co.uk](http://www.vivasanitary.co.uk)

UK - Units 1-3 Capitol Trading Park, Kirkby Bank Road,  
Knowsley Industrial Estate, Liverpool, L33 7SY  
EU - Authorised Rep Compliance Ltd., GroundFloor,  
71 Lower Baggot Street, Dublin, D02 P593, Ireland.

For more information please contact us:  
Tel: 0151 546 0531 E-mail: [sales@vivasanitary.co.uk](mailto:sales@vivasanitary.co.uk)