



# Toilet Handle Kit (D Type)

## Installation Instructions

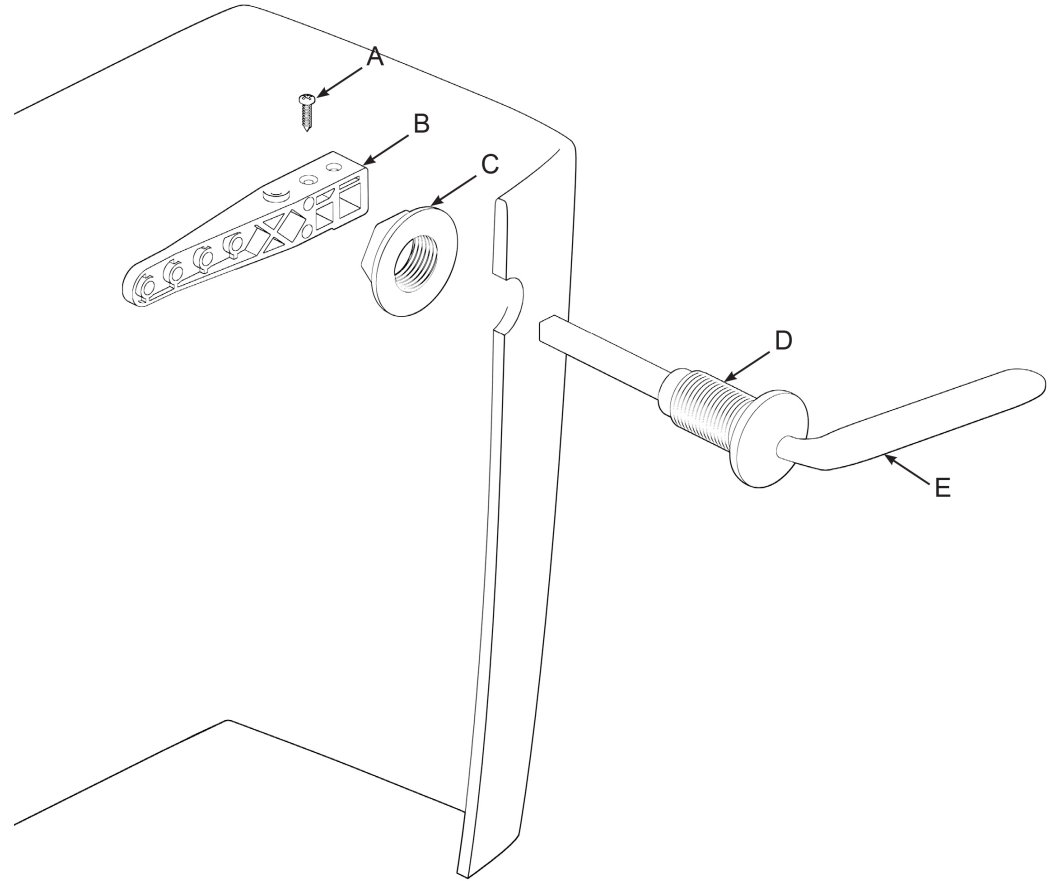
### Parts Supplied

(one of each of the following)

- A. Screw
- B. Lever Arm
- C. Locking Nut
- D. Thread
- E. Lever

### Tools Required (not supplied)

1 x cross head screwdriver



### Assembly

1. Check and familiarise yourself with all the components.
2. Take lever (E), and insert thread (D) through the toilet handle hole opening in the cistern wall.
3. Once in place take locking nut (C) and tighten onto thread (D), please do not over tighten.
4. Now the lever is in place, hook lever arm (B) onto the Syphon 'C' Link.
5. Once this is attached lift lever arm (B) to meet chrome spindle on lever (E) and slide the lever arm over the spindle into position.
6. Secure in place using screw (A).
7. Check handle is functioning correctly and is free from obstructions.
8. Adjustments can be made to the lever arm if required (Use a hacksaw and cut carefully in front of desired hole selection).



#### IMPORTANT INFORMATION

We accept no liability for products fitted incorrectly, and where the correct testing procedures have not been used, resulting in the escape of water. The finished surfaces on the product are hard and durable and we recommend regular cleaning to maintain their appearance. They should only be cleaned with warm soapy water, under no circumstances should any aggressive or abrasive cleaning agent be used as it can lead to deterioration of the high quality finish.

FOR MORE INFORMATION ABOUT ANY OF OUR PRODUCTS VISIT

[www.vivasanitary.co.uk](http://www.vivasanitary.co.uk)

Units 1-2, Capitol Trading Park  
Kirkby Bank Road, Knowsley Industrial Park  
Liverpool, Merseyside, L33 7SY

Tel: +44 (0)151 546 0531 Fax: +44 (0)151 549 4187